

COMPACT EXCAVATOR

**TAKEUCHI**<sup>TM</sup>  
From World First to World Leader

# TB240



Operating Weight: 4,070 kg

# Product Features & Specifications

## ENGINE

- Machine Models 124000003 or Later: EU Stage III A / EPA Tier 4 Emission Compliant
- Machine Models 124100002 or Later: EU Stage III A
- Automatic Fuel Bleed System
- Double Element Air Cleaner (optional)
- Automatic Deceleration
- Working Modes: Power and High Altitude
- Engine Preheat
- High Capacity Radiator
- High Capacity Fuel Filters
- Extended Life Coolant
- Engine Safety Start System on the Left Console
- Engine Auto Stop
- Fuel Supply Pump (optional)

## UNDERCARRIAGE AND FRAME

- Triple Flanged Track Rollers
- 2-Speed Travel with Automatic Shift
- High Torque Planetary Final Drive
- Heavy Duty Dozer Blade with Float (optional)
- Large Wraparound counterweight
- 350 mm Rubber Crawlers
- 350 mm Steel Crawlers (optional)
- Power Angle Blade with Float and Bolt-on Cutting Edge (optional)

## OPERATOR'S STATION

- ROPS / TOPS / OPG Level 1 Canopy / Cab
- Deluxe High Back Suspension Seat
- 2" Retractable Seat Belt
- Cab with Heat Defrost, Windshield Wiper and Washer, Skylight with Sunshade, AM / FM / MP3 Bluetooth Radio
- 12V Power Outlet
- Head Rest (optional)
- Air Conditioner (Cab optional)
- Rain Guard (Cab optional)
- OPG Level 2 Roof Guard Kit (Cab optional)
- OPG Level 2 Front Guard (Cab optional)

## ELECTRICAL

- Multi-Informational Display
- Sealed Rocker Switches
- 12 volt System with 55 amp Alternator
- 2 Canopy Lights (optional)
- 1 Working Light on Boom
- 2 Cab Front Lights (optional)
- Beacon Socket and Lamp Switch (Cab only)
- TSS (Takeuchi Security System; Immobilizer) (optional)
- Hour Meter
- Travel Alarm (optional)
- Horn

## HYDRAULIC

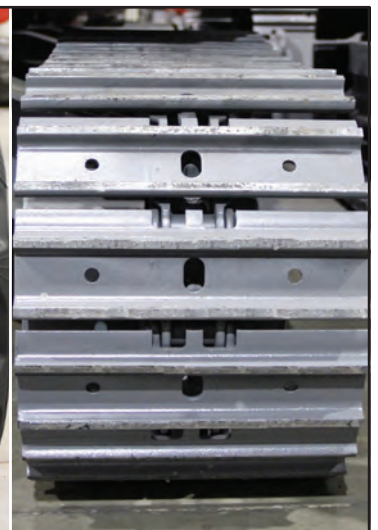
- Variable Displacement Pump
- Straight Travel Circuit
- Hydraulic Joystick Controls
- Proportional Control for Service Port 1
- Detent for Service Port 1
- Proportional Control for Service Port 2 (optional)
- Service Port 3 for Quick Hitch (optional)
- Proportional Control for Service Port 4 (optional)
- Adjustable Auxiliary Flow for Service Port 1, 2 and 4
- Auto Pressure Release (optional)
- Hydraulic Selector Valve (1-way / 2-way)
- Pilot Accumulator (optional)
- Air Breather, Hydraulic Tank
- Auto Tank (optional)

## WORKING EQUIPMENT

- Independent Mono Boom Swing
- Cushioned Boom and Arm Cylinder
- 1,450 mm Arm
- 1,600 mm Arm (optional)
- Arm and Boom Holding Valve with Lift Alarm (optional)
- Pattern Change Valve (ISO or G) (optional)
- Boom Swing Stopper (optional)



Optional Angle Blade with Reversible Bolt On Cutting Edge



Track Options - Rubber or Steel

# TOUGH, POWERFUL, RELIABLE



**2-Speed Travel w/ Auto Shift**



**Integrated Anchor Points**



**Triple Flanged Track Rollers**



**Multi-Function Switch Bank**

Delivering outstanding performance and versatility, the TB240 is one of Takeuchi's most popular conventional tail swing excavators.

The TB240 offers steel construction and lockable service access panels, an automotive styled interior, and a smooth and powerful hydraulic system. The TB240 has excellent breakout force, reach and lifting capacity for maximum productivity making it a great choice for the most demanding applications.

Additional features include an automatic idle, heavy duty cooling module, and a large wraparound counterweight that protects engine components from damage.

The interior provides excellent operator comfort with pilot operated controls, travel controls with large foot pedals, foot operated boom swing, easy to reach rocker switches and a dial throttle control.



**Large lockable service hoods provide vandalism protection and outstanding maintenance access.**

<b>OPERATING PERFORMANCE</b>	Serial No. 124000003 or later	Serial No. 124100002 or later
Operating Weight - Cab	4,070 kg	4,015 kg
Operating Weight - Canopy	3,880 kg	3,825 kg
Bucket Capacity (Heaped)	0.12 m <sup>3</sup>	
Slew Speed	9.6 min <sup>-1</sup>	
Travel Speed		
1st	2.9 km/h	
2nd	5.3 km/h	
Gradeability	30°	
Ground Pressure - Cab	31.6 kPa	31.1 kPa
Ground Pressure - Canopy	30.1 kPa	29.7 kPa
Maximum Bucket Breakout Force	30.8 kN	
Maximum Arm Digging Force (1,450 mm Arm)	19.6 kN	
Maximum Arm Digging Force (1,600 mm Arm)	18.3 kN	
Traction Force	42.4 kN	
Boom Swing Angle (Left/Right)	77° / 57°	

<b>ENGINE</b>	Yanmar 4TNV88C	Yanmar 4TNV88
Model	Yanmar 4TNV88C	Yanmar 4TNV88
Rated Output (ISO 14396)	26.7 kW/ 2,200 min <sup>-1</sup>	27.2 kW/ 2,200 min <sup>-1</sup>
Maximum Torque	144.9 Nm 1,430 min <sup>-1</sup>	142.6 Nm 1,430 min <sup>-1</sup>
Displacement	2,189 ml	
Alternator	12 V - 0.66 kW	
Battery (IEC 60095-1)	12 V - 90 A·h	12 V - 80 A·h

<b>FLUID CAPACITY</b>	
Engine Lubrication	7.4 L
Cooling System	9.0 L
Fuel Tank Capacity	70.0 L
Hydraulic Reservoir Capacity	41.0 L
Hydraulic System Capacity	74.0 L

<b>HYDRAULIC SYSTEM</b>	
P1, P2	Variable Displacement Pump
Flow Rate	41.8 L/min
Relief Pressure	24.0 MPa
P3	Gear Pump
Flow Rate	23.5 L/min
Relief Pressure	20.6 MPa
Service Port 1	
Flow Rate	65.3 L/min
Hydraulic Pressure	20.6 MPa
Service Port 2	
Flow Rate	23.5 L/min
Hydraulic Pressure	20.6 MPa
Service Port 3	
Hydraulic Pressure	20.6 MPa
Service Port 4	
Flow Rate	23.5 L/min
Hydraulic Pressure	20.6 MPa

<b>SAFETY and HEALTH</b>	
Vibration Levels	
Hand / Arm	≤ 2.5 m/s <sup>2</sup>
Body	≤ 0.5 m/s <sup>2</sup>
Noise Level	
Sound Power Level	LWA 96 dB



**Canopy Display**



**Cab Display**

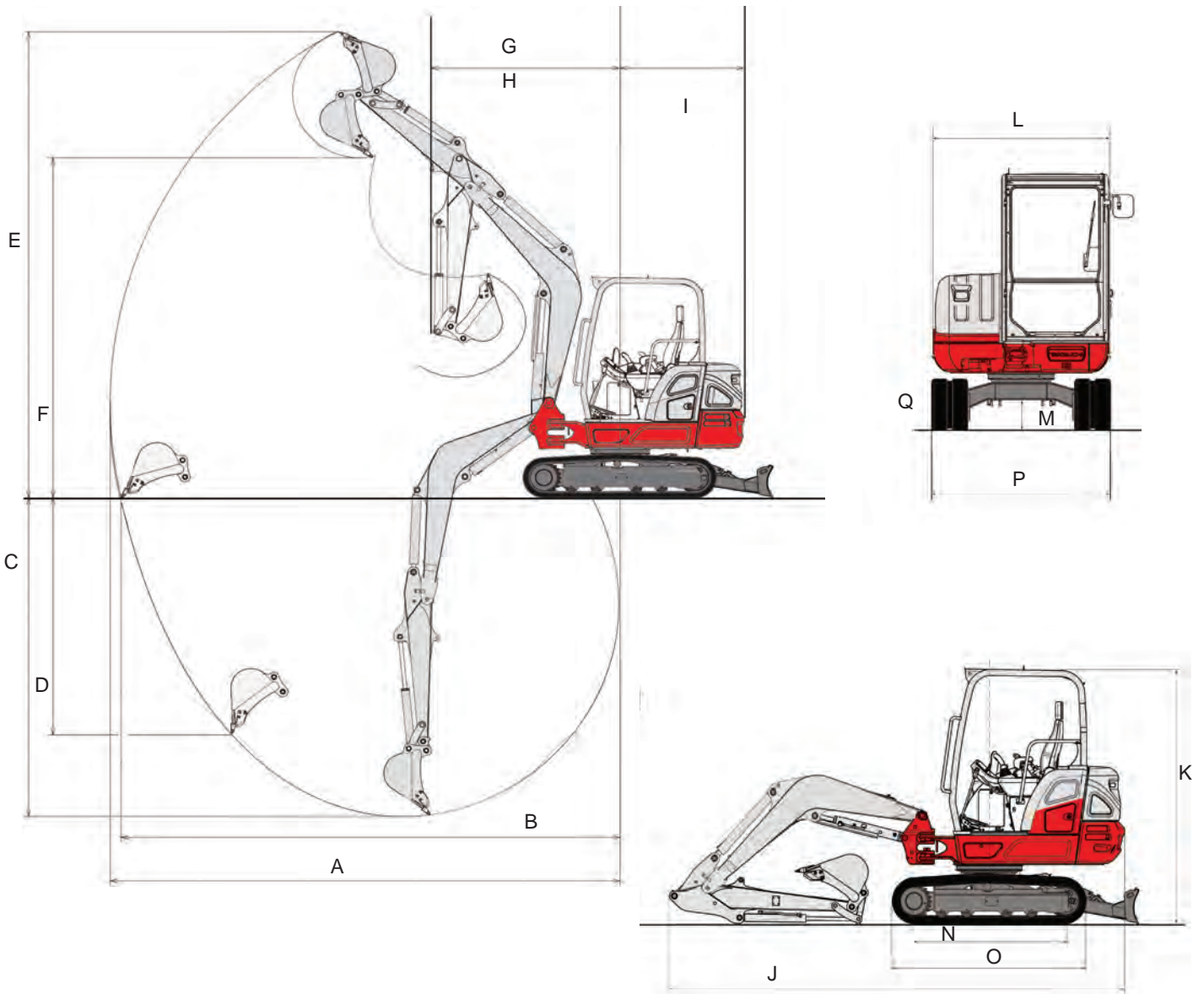


**Auxiliary Hydraulic Lines**



**Convenient Serviceability**

# TB240 Compact Excavator



MACHINE DIMENSIONS	1,450 mm ARM	1,600 mm ARM
A Maximum Reach	5,405 mm	5,545 mm
B Maximum Reach at Ground Level	5,280 mm	5,425 mm
C Maximum Digging Depth	3,315 mm	3,465 mm
D Maximum Vertical Digging Depth	2,525 mm	2,665 mm
E Maximum Height of Cutting Edge	5,145 mm	5,245 mm
F Maximum Dumping Height	3,725 mm	3,825 mm
G Front Swing Radius	2,020 mm	2,040 mm
H Front Swing Radius with Boom Offset	1,600 mm	1,620 mm
I Slew Radius	1,365 mm	1,365 mm
J Overall Length	5,065 mm	5,085 mm
K Overall Height (Cab / Canopy)	2,490 mm / 2,505 mm	2,490 mm / 2,505 mm
L Upper Structure Overall Width	1,720 mm	1,720 mm
M Ground Clearance	295 mm	295 mm
N Crawler Base	1,645 mm	1,645 mm
O Crawler Overall Length	2,105 mm	2,105 mm
P Crawler Overall Width	1,740 mm	1,740 mm
Q Crawler Shoe Width	350 mm	350 mm



© 2018 Takeuchi MFG. Co., Ltd. All Rights Reserved. In accordance with our established policy of continued improvement, specifications and features are subject to change without notice. Pictures may show options other than standard equipment.

FORM: TB240 Compact Excavator Spec Sheet - Feb. 2018

**TAKEUCHI**<sup>™</sup>  
From World First to World Leader