

COMPACT EXCAVATOR

**TAKEUCHI**<sup>TM</sup>  
From World First to World Leader

# TB230



Operating Weight: 2,810 kg

# Product Features & Specifications

## ENGINE

- EPA Tier 4 Emission Compliant
- Automatic Fuel Bleed System
- Automatic Deceleration
- Engine Preheat
- Working Modes: Power and High Altitude
- Extended Life Coolant
- High Capacity Fuel Filters
- Engine Safety Start System on the Left Console
- Engine Auto Stop
- Fuel Supply Pump (optional)
- Double Element Air Cleaner (optional)

## ELECTRICAL

- Multi-Informational Display
- Sealed Rocker Switches
- 12 volt System with 55 amp Alternator
- Hour Meter
- Rear View Camera (optional)
- 2 Canopy Lights (optional)
- 1 Working Light on Boom
- 2 Cab Front Lights (optional)
- Beacon Socket and Lamp Switch (Cab Only)
- TSS (Takeuchi Security System; Immobilizer) (optional)
- Travel Alarm (optional)
- Horn

## OPERATOR'S STATION

- ROPS / TOPS / OPG Level 1 Canopy / Cab
- Deluxe High Back Suspension Seat
- 2" Retractable Seat Belt
- Head Rest (optional)
- 12V Power Outlet
- Cab with Heat Defrost, Windshield Wiper and Washer, Skylight with Sunshade, AM / FM / MP3 Bluetooth Radio
- Rain Guard (Cab optional)
- OPG Level 2 Roof Guard Kit (Cab optional)
- OPG Level 2 Front Guard (Cab optional)

## UNDERCARRIAGE AND FRAME

- Triple Flanged Track Rollers
- 2-Speed Travel with Automatic Shift
- Sloped Frame with Open Centers
- Heavy Duty Dozer Blade with Float (optional)
- Large Wraparound Counterweight
- 300 mm Rubber Crawlers
- 300 mm Steel Crawlers (optional)
- Power Angle Blade with Float and Bolt-on Cutting Edge (optional)

## HYDRAULIC

- Variable Displacement Pump
- Straight Travel Circuit
- Hydraulic Joystick Controls
- Proportional Control for Service Port 1
- Detent for Service Port 1
- Proportional Control for Service Port 2 (optional)
- Service Port 3 for Quick Hitch (optional)
- Proportional Control for Service Port 4 (optional)
- Adjustable Auxiliary Flow for Service Port 1, 2 and 4
- Auto Pressure Release (optional)
- Hydraulic Selector Valve (1-way / 2-way)
- Pilot Accumulator (optional)
- Air Breather, Hydraulic Tank
- Auto Tank (optional)

## WORKING EQUIPMENT

- Independent Mono Boom Swing
- Cushioned Boom and Swing Cylinder
- Top Mount Boom Cylinders
- 1,290 mm Arm
- 1,445 mm Arm (optional)
- Arm and Boom Holding Valve with Lift Alarm (optional)
- Pattern Change Valve (ISO or G) (optional)
- Boom Swing Stopper (optional)



Spacious Cabin



Automotive Styled Interior

# TOUGH, POWERFUL, RELIABLE



2-Speed Travel w/ Auto Shift



Wraparound Counterweight



Triple Flanged Track Rollers



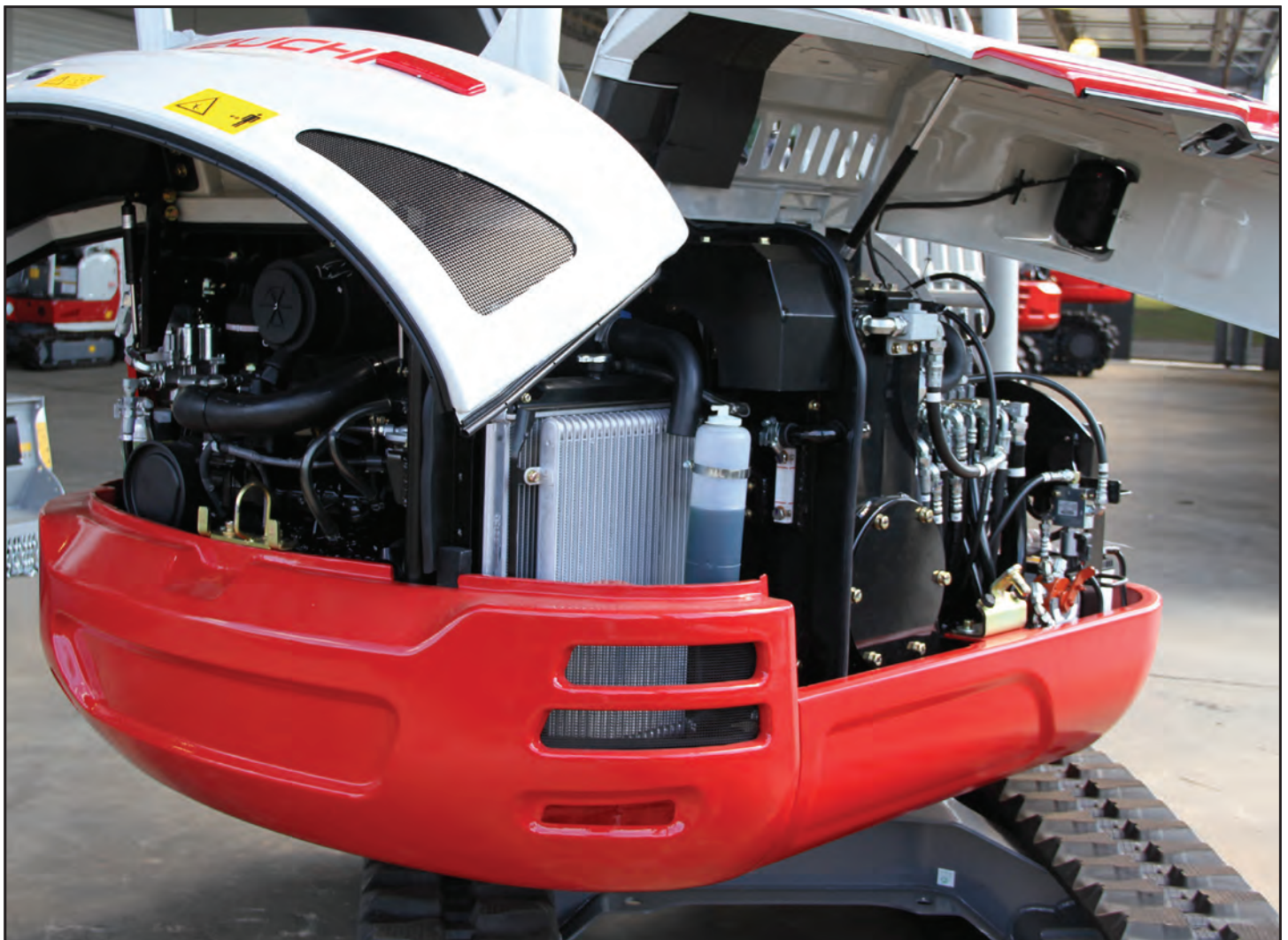
Segmented Lines

The TB230 is less than 1,460 mm wide giving it outstanding accessibility to job sites. It features all steel construction, a spacious operator station, automotive styled interior, smooth and powerful hydraulic system, and cushioned boom and swing cylinders.

The TB230 provides impressive dig depth, reach and lifting capacity for maximum productivity making it a great choice for the most demanding applications.

Additional features include a EPA Tier 4 compliant engine, automatic fuel bleed system, and a large wraparound counterweight that protects engine components from damage.

The operator is protected by a ROPS / TOPS / OPG protective structure that keeps the operator safe and comfortable on any job site.



Large lockable service hoods provide vandalism protection and outstanding maintenance access.

## OPERATING PERFORMANCE

Operating Weight - Cab	2,875 kg
Operating Weight - Canopy	2,810 kg
Bucket Capacity (Heaped)	0.068 m <sup>3</sup>
Slew Speed	10.3 min-1
Travel Speed	
1st	2.9 km/h
2nd	5.2 km/h
Gradeability	30°
Ground Pressure - Cab	29.3 kPa
Ground Pressure - Canopy	28.7 kPa
Maximum Bucket Breakout Force	20.9 kN
Maximum Arm Digging Force	14.0 kN
Traction Force	28.2 kN
Boom Swing Angle (Left/Right)	79° / 58°

## ENGINE

Model	Yanmar / 3TNV88F
Rated Output (ISO 14396)	18.2 kW/2,400 min-1
Maximum Torque	92.2 Nm/1,440 min-1
Displacement	1,642 ml
Alternator	12 V - 0.66 kW
Battery (IEC 60095-1)	12 V - 64.0 A/h

## FLUID CAPACITY

Engine Lubrication	4.7 L
Cooling System	4.0 L
Fuel Tank Capacity	46.0 L
Hydraulic Reservoir Capacity	35.0 L
Hydraulic System Capacity	56.0 L

## HYDRAULIC SYSTEM

P1, P2	Variable Displacement Pump
Flow Rate	32.4 L/min
Relief Pressure	21.0 MPa
P3	Gear Pump
Flow Rate	21.6 L/min
Relief Pressure	20.0 MPa
Service Port 1	
Flow Rate	54.0 L/min
Hydraulic Pressure	21.0 MPa
Service Port 2	
Flow Rate	21.6 L/min
Hydraulic Pressure	20.0 MPa
Service Port 3	
Flow Rate	13.2 L/min
Hydraulic Pressure	20.0 MPa
Service Port 4	
Flow Rate	21.6 L/min
Hydraulic Pressure	20.0 MPa

## SAFETY and HEALTH

Vibration Levels	
Hand / Arm	≤ 2.5 m/s <sup>2</sup>
Body	≤ 0.5 m/s <sup>2</sup>
Noise Level	
Sound Power Level	L <sub>WA</sub> 93



Multi-Informational Display



Work Lights

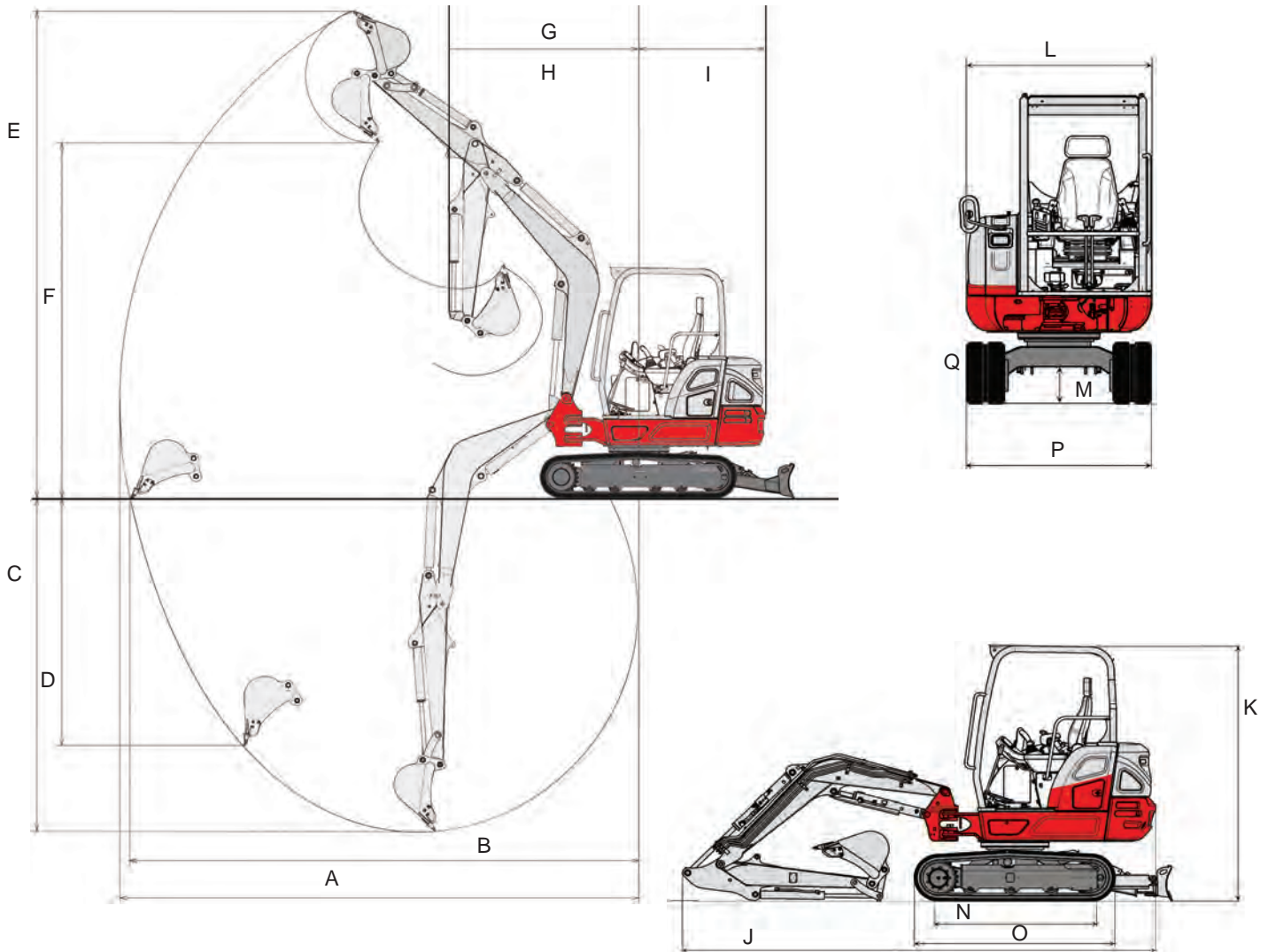


Auxiliary Hydraulic Lines



Main Boom Cylinder Guard

# TB230 Compact Excavator



MACHINE DIMENSIONS	1,290 mm Arm	1,445 mm Arm
A Maximum Reach	4,705 mm	4,850 mm
B Maximum Reach at Ground Level	4,560 mm	4,710 mm
C Maximum Digging Depth	2,680 mm	2,835 mm
D Maximum Vertical Digging Depth	2,015 mm	2,165 mm
E Maximum Height of Cutting Edge	4,325 mm	4,490 mm
F Maximum Dumping Height	3,145 mm	3,230 mm
G Front Swing Radius	1,880 mm	1,895 mm
H Front Swing Radius with Boom Offset	1,485 mm	1,505 mm
I Slew Radius	1,330 mm	1,330 mm
J Overall Length	4,185 mm	4,595 mm
K Overall Height (Cab / Canopy)	2,525 mm / 2,540 mm	2,525 mm / 2,540 mm
L Upper Structure Overall Width	1,460 mm	1,460 mm
M Ground Clearance	305 mm	305 mm
N Crawler Base	1,440 mm	1,440 mm
O Crawler Overall Length	1,900 mm	1,900 mm
P Crawler Overall Width	1,450 mm	1,450 mm
Q Crawler Shoe Width	300 mm	300 mm



© 2017 Takeuchi MFG. Co., Ltd. All Rights Reserved. In accordance with our established policy of continued improvement, specifications and features are subject to change without notice. Pictures may show options other than standard equipment.

FORM: TB230 Compact Excavator Spec Sheet - Sept. 2017

**TAKEUCHI**<sup>™</sup>  
From World First to World Leader