

HYDRAULIC EXCAVATOR

TAKEUCHITM
From World First to World Leader

TB2150R



Operating Weight: 15,420 to 16,150 kg

Product Features

ENGINE

- EU Stage IV / EPA Tier 4 Emission Compliant
- DOC+SCR Exhaust After Treatment
- Automatic Fuel Bleed System
- Double Element, Air Cleaner
- Auto Deceleration
- Working Modes: Power and High Altitude
- Hydraulic Fan Drive for Radiator
- Fuel Supply Pump
- High Capacity Fuel Filters
- V-rib Belt with Automatic Tensioner
- Engine Safety Start System on the Left Console
- Engine Auto Stop

ELECTRICAL

- 7" Multi-Informational Color Display
- Rear View Camera
- Sealed Rocker Switches
- Beacon Socket and Lamp Switch
- Travel Alarm
- LED Light Standard Package
Front Cab x2
Front Cover x1
Boom x1
- Horn
- Additional LED Boom Light (optional)
- LED Cab Rear Light (optional)
- TSS (Takeuchi Security System; immobilizer) (optional)

OPERATOR'S STATION

- Cab with Air Conditioner, Windshield Wiper and Washer, Skylight with Sunshade, Rain Guard, 12V / 24V Power Outlet
- AM / FM / MP3 / Bluetooth Radio
- ROPS / OPG Level 2 Protection
- Tool Box
- Roof Guard Kit
- Deluxe High Back Seat
- 2" Retractable Seat Belt
- Air Suspension Seat w/ Heat (optional)
- Front Guard (optional)

UNDERCARRIAGE AND FRAME

- Triple Flanged Track Rollers
- 2-Speed Travel with Automatic Shift
- High Torque Planetary Final Drive
- Heavy Duty Dozer Blade (optional)
- Wraparound Counterweight
- Dozer Blade with Float (optional)
- Rubber Crawler
- Steel Crawler (500W / 600W / 700W) (optional)
- Segmented Rubber Crawler (optional)
- Rubber Pads for 500W Steel Crawlers (optional)

HYDRAULIC

- Variable Displacement, Open Center Hydraulics
- Hydraulic Joystick Controls
- Proportional Control for Service Port 1
- High Flow for Service Port 1 (optional)
- Proportional Control for Service Port 2
- Service Port 3 for Quick Hitch
- Proportional Control for Service Port 4 (optional)
- Adjustable Auxiliary Flow for Service Port 1, 2, and 4
- Pressure Adjustment for Service Port 1, 2, and 4 (optional)
- Pilot Accumulator
- Air Breather, Hydraulic Tank
- Auto Pressure Release (optional)
- Auto Tank for Service Port 1 (optional)

WORKING EQUIPMENT

- Reinforcement Fixed Boom
- Cushioned Boom and Arm Cylinders
- Standard Arm - 2,320 mm
- Arm and Boom Holding Valve with Lift Alarm
- Pattern Change Valve (ISO or G) (optional)
- Adjust Cylinder Holding Valve (optional)
- 2-Piece Boom (optional)



Large Lockable Service Covers Provide Ground Level Access



Convenient Service and Maintenance Access

TOUGH, POWERFUL, RELIABLE



LED Working Lights



Radio Equipped w/ Bluetooth



7" Color Display



Wraparound Counterweight

The TB2150R is the largest excavator in the Takeuchi line up. It features a fixed boom for greater stability and allows the operator to carry heavier loads. The TB2150R comes standard with a mono-boom that provides best in class digging depth (2-piece boom is optional).

A 85 kW engine powers the TB2150R and it meets the very latest EU emissions standards. This engine also utilizes a DOC + SCR diesel exhaust after-treatment system.

A redesigned operator's station features a 7" color intuitive multi-informational display, radio with bluetooth capabilities, and an optional deluxe high back air

suspension seat to keep the operator comfortable throughout the year.

The TB2150R features a large wraparound counterweight, a rear view camera, and multiple LED working lights located on the boom, cab, and front cover.

This machine has three auxiliary hydraulic circuits that makes it the perfect attachment platform that will provide the operator the power and durability needed to complete the toughest jobs (fourth auxiliary hydraulic circuit is optional).



Spacious Operator's Station with Easy to Reach Controls and Switches.

Product Specifications

OPERATING PERFORMANCE

	Mono-Boom	2-Piece Boom
Operating Weight - (Rubber Crawler)	15,420 kg	16,050 kg
Operating Weight - (Steel Crawler)	15,520 kg	16,150 kg
Bucket Capacity (Heaped)	0.45 m ³	
Slew Speed	11.0 min ⁻¹	
Travel Speed		
1st - (Rubber Crawler)	2.8 km/h	
2nd - (Rubber Crawler)	5.3 km/h	
1st - (Steel Crawler)	2.6 km/h	
2nd - (Steel Crawler)	5.0 km/h	
Gradeability	35 ⁰	
Ground Pressure		
Rubber Crawler	45.4 kPa	47.3 kPa
Steel Crawler	46.2 kPa	48.1 kPa
Maximum Bucket Breakout Force	96.3 kN	
Maximum Arm Digging Force	65.4 kN	
Traction Force	156.7 kN	

ENGINE

Model	DEUTZ TCD3.6L4	
Rated Output (ISO 14396)	85 kW/2000 min ⁻¹	
Maximum Torque	460 Nm/1600 min ⁻¹	
Displacement	3,621 ml	
Alternator	28 V-2.24 kW	
Battery (IEC 60095-1)	12 V - 90A ^h x 2	

FLUID CAPACITIES

Engine Lubrication	10 L
Cooling System	27 L
Fuel Tank Capacity	221 L
Hydraulic Reservoir Capacity	102 L
Hydraulic System Capacity	131 L

SAFETY and HEALTH

Vibration Levels	
Hand / Arm	≤ 2.5 m/s ²
Body	≤ 0.5 m/s ²
Noise Level	
Sound Power Level	Lwa 99 dB

HYDRAULIC SYSTEM

P1, P2	Travel, Boom, Arm, Slew, Bucket, 1st Aux
Flow Rate	112 L/min
Relief Pressure	34.3 MPa
P3	Pilot, Travel Speed
Flow Rate	20 L/min
Relief Pressure	3.9 MPa
P4	Blade, 2nd Aux, 3rd Aux
Flow Rate	54.8 L/min
Relief Pressure	23.6 MPa
Service Port 1	
Flow Rate	112 L/min
Flow Rate - High Flow	224 L/min
Hydraulic Pressure	27.5 MPa
Service Port 2	
Flow Rate	54.8 L/min
Hydraulic Pressure	23.6 MPa
Service Port 3	
Hydraulic Pressure	21.0 MPa
Service Port 4	
Flow Rate	54.8 L/min
Hydraulic Pressure	23.6 MPa



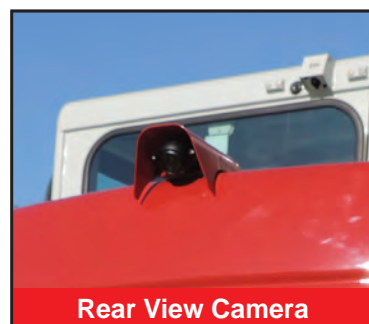
Pilot Operated Controls



Sealed Rocker Switches



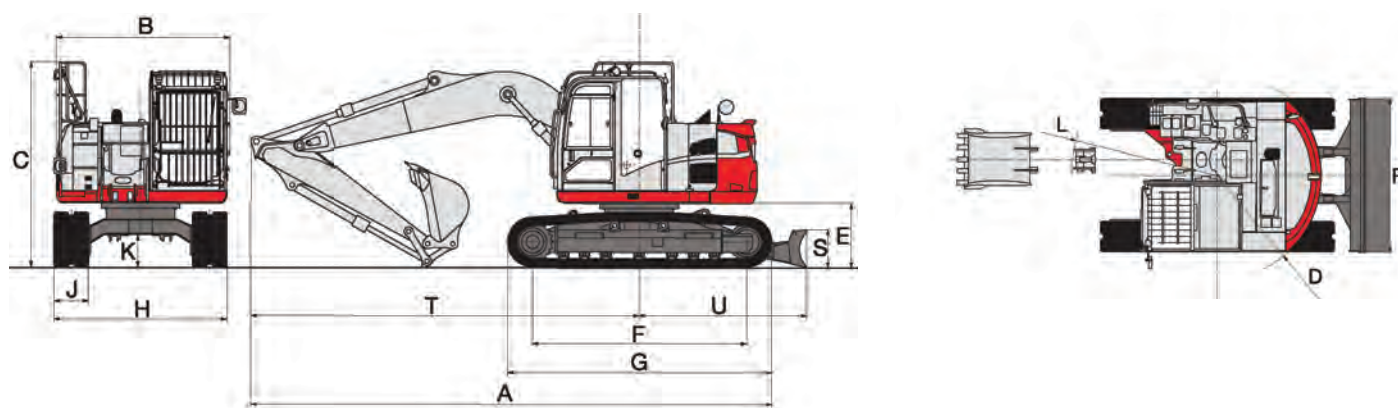
Hydraulic Fan Drive for Radiator



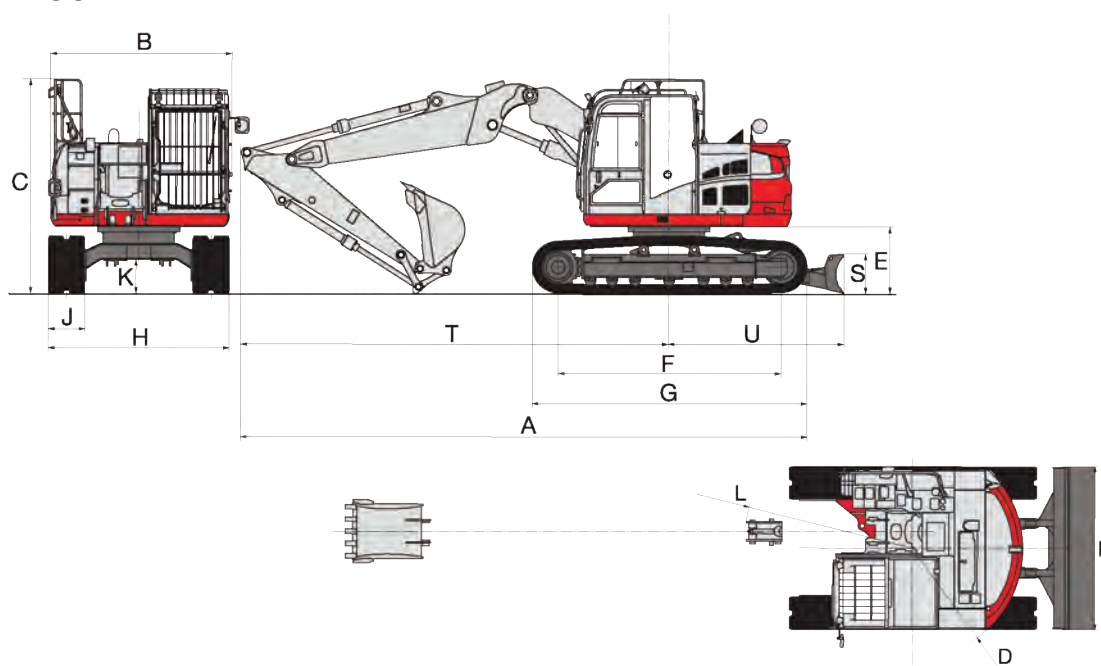
Rear View Camera

TB2150R Machine Dimensions

Mono-Boom



2-Piece Boom



MACHINE DIMENSIONS

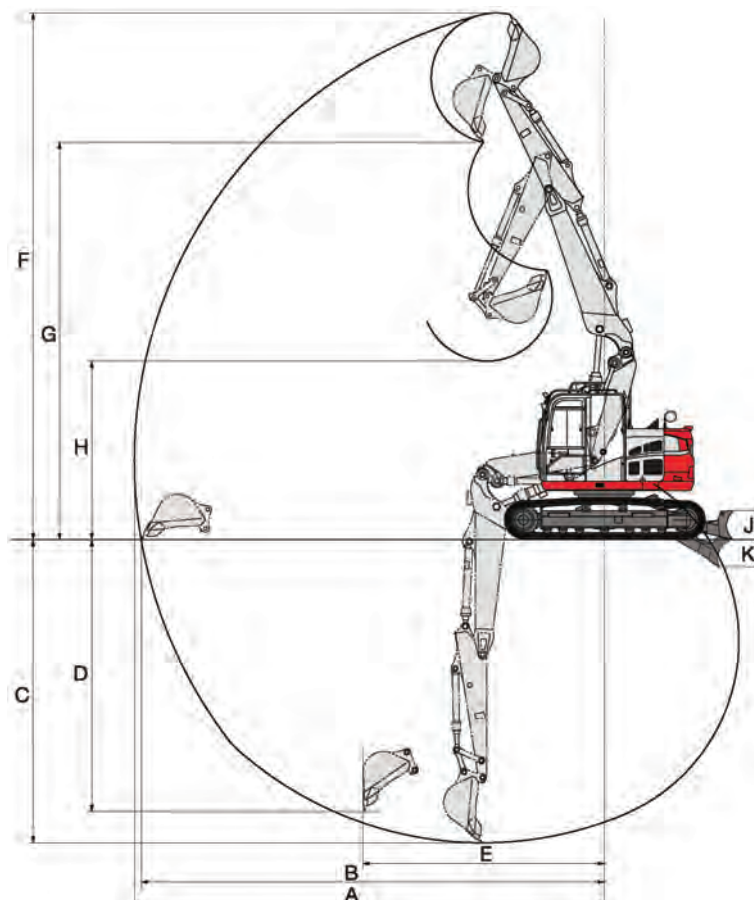
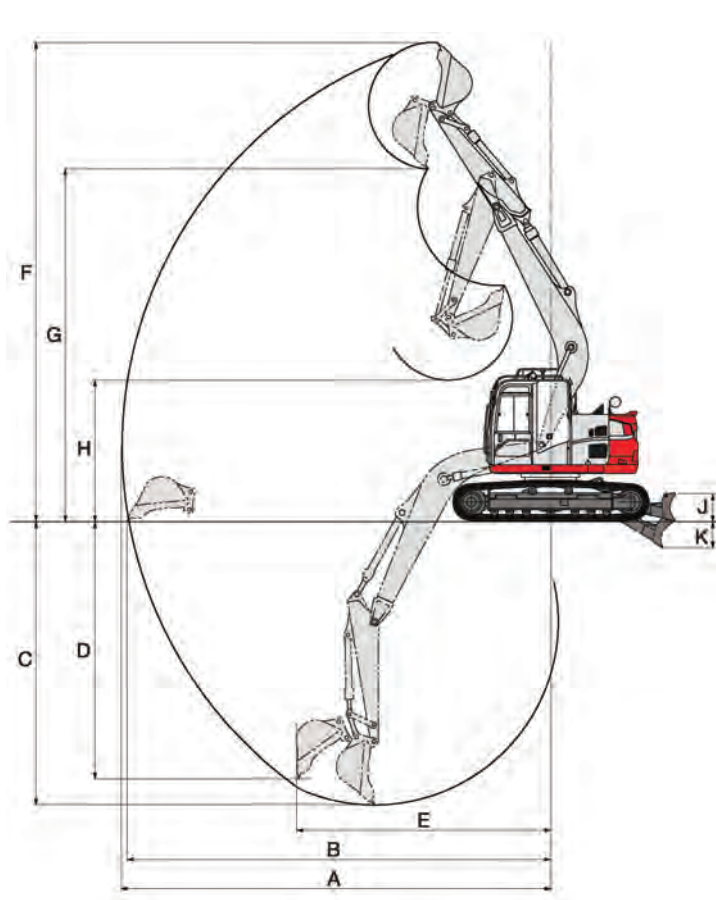
A Overall Length - Mono-Boom	7,490 mm	(7,470 mm)
Overall Length - 2-Piece Boom	7,785 mm	
B Upper structure Overall Width	2,500 mm	
C Overall Height	2,960 mm	(2,950 mm)
D Slew Radius	1,700 mm	
E Clearance Height Under Upper Structure	930 mm	(900 mm)
F Crawler Base	3,080 mm	(3,045 mm)
G Crawler Overall Length	3,795 mm	(3,750 mm)
H Crawler Overall Width	2,490 mm	
J Crawler Shoes Width	500 mm	
K Ground Clearance of Undercarriage	475 mm	(445 mm)
L Minimum Radius of Equipment and Attachment - Mono-Boom	2,360 mm	
Minimum Radius of Equipment and Attachment - 2-Piece Boom	2,590 mm	
R Dozer Blade Width	2,490 mm	
S Dozer Blade Height	550 mm	
T Front Distance to Axis of Rotation	5,580 mm	
U Dozer Blade Distance to Axis of Rotation	2,395 mm	

Data in () are dimensions of steel crawlers.

TB2150R Operating Dimensions

Mono-Boom

2-Piece Boom



OPERATING DIMENSIONS	Mono-Boom	2-Piece Boom
A Maximum Reach	8,330 mm	8,860 mm
B Maximum Reach at Ground Level	8,195 mm	8,730 mm
C Maximum Digging Depth	5,500 mm (5,530 mm)	5,720 mm (5,750 mm)
D Maximum Vertical Digging Depth	4,995 mm (5,025 mm)	5,130 mm (5,160 mm)
E Reach at Maximum Vertical Digging Depth	4,915 mm	4,545 mm
F Maximum Height of Cutting Edge	9,300 mm (9,270 mm)	9,925 mm (9,895 mm)
G Maximum Dumping Height	6,845 mm (6,815 mm)	7,490 mm (7,460 mm)
H Minimum Dumping Height	2,750 mm (2,720 mm)	3,360 mm (3,330 mm)
J Dozer Blade Maximum Lifting Height	540 mm (510 mm)	540 mm (510 mm)
K Dozer Blade Maximum Lowering Depth	515 mm (545 mm)	515 mm (545 mm)

Data in () are dimensions of steel crawlers.