

takeuchi
NEW ARRIVAL

FULL HYDRAULIC COMPACT EXCAVATOR

TB216

Machine Weight : 1700kg



TAKEUCHI

TB216

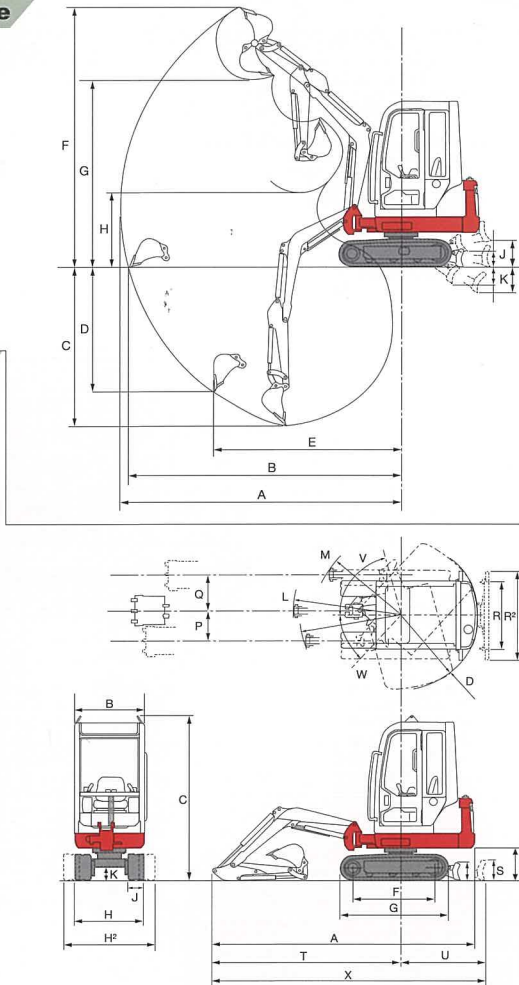
Machine Weight : 1700kg

Operating Range

A	4090/4088
B	4035/4037
C	2390/2388
D	2060/2058
E	2790/2792
F	3740/3742
G	2705/2705
H	755/757
J	365
K	365

Dimensions

A	3870
B	1050
C	2360
D	1075
E	460
F	1155
G	1520
H	980
H2	1300
J	230
K	205
L	1480
M	1155
P	450
Q	520
R	980
R2	1300
S	310
T	2800
U	1205
V	78°
W	50°
X	4040



SPECIFICATIONS

Basic Specifications / Dimensions			Hydraulic Performance		
Machine Mass (Long Arm)	kg	1700	Rated Flow Rate P1, P2	L/min	16.8×2
Bucket Capacity	m ³	0.038	Set Pressure P1, P2	MPa	21
Engine Manufacturer	—	YANMAR	Rated Flow Rate P3	L/min	10.8
Engine Model	—	3TNV70	Set Pressure P3	MPa	20
Rated Output (ISO 9249)	kW	11.1	Service Port 1 Flow Rate	L/min	33.6
Rated Speed	min ⁻¹	2400	Service Port 1 Pressure	MPa	21
Fuel Tank Capacity	L	22	Service Port 1 Control	—	Foot Pedal
Overall Length in Transport Condition	mm	3870	Service Port 2 Flow Rate	L/min	10.8
Overall Width in Transport Position	mm	990	Service Port 2 Pressure	MPa	20
Overall Height in Transport Condition	mm	2355	Service Port 2 Control	—	Proportional Switch at Right Hand Lever
Crawler Length	mm	1520	Service Port 3 Flow Rate (A/B)	L/min	6.5/10.8
Undercarriage Width	mm	980/1300	Service Port 3 Pressure (A/B)	MPa	3.4/20
Spanner	mm	980/1300	Service Port 3 Control	—	BottomSW+FootSW
Dozer Blade Width × Height	mm	980/1300×300	Slew Speed	min ⁻¹	9.2
Rear-end Swing Radius	mm	1075	Travel Speed	km/h	4.2/2.2
Track Shoe Width	mm	230	Maximum Traction Force (Calculated)	kN	19.4
Ground Clearance of Undercarriage	mm	205	Automatic Travel Speed Shifting	—	○
Operating Ranges (Long Arm) / Digging Force			Slew / Travel Parking Brake	—	○/○
Maximum Digging Depth	mm	2390	Equipment		
Maximum Reach	mm	4090	Monitoring Display (Items/Fuel Gauge/Coolant Temperature)	LCD/○/○	
Boom Swing Angle Left / Right	deg	78/50	Blade Width Extension Without Tools	×	
Dozer Blade Operating Range Upper / Lower	mm	365/365	12V Power Socket	○	
Bucket Digging Force	kN	14	Tail Lamp	○	
Long Arm Digging Force	kN	8.2	ROPS/TOPS/FOPS/OPG Cab	○/○/○/○(OPT)	
Long Arm Length	mm	1130	Tie Down	○	
Boom Cylinder Layout	—	Rear			

TAKEUCHI

WORLD CREATOR OF COMPACT EXCAVATOR
TAKEUCHI MFG.CO.,LTD.
 205, Uwadaira,Sakaki-machi, Hanisina-gun.
 Nagano 389-0605,Japan
 Phone (81)268-81-1112
 Telefax (81)268-81-1121
 URL <http://www.takeuchi-mfg.co.jp>
 E-mail:marketing@takeuchi-mfg.com

ABS-MASKIN AS
 Strandvn. 20 A - Postboks 34
 3051 MJØNDALEN
 Tlf. 32 23 18 10, Fax 32 23 18 11